



# INSTRUCTION MANUAL



[sim-pole.com](https://sim-pole.com)



# Part list

## Parts

Item nr.	Description	Qty
A	Profile 4080 800mm	2
B	Profile 4080 540mm	2
C	Profile 4080 750mm angle	2
D1	Side plate left	1
D2	Side plate right	1
E	Profile 4040 524mm	2
F1	Seat side plate left	1
F2	Seat side plate right	1
G	Profile 4080 500mm	2
H	Paddle bracket	2
I	Profile 4040 380mm	2
J1	Paddle side plate left	1
J2	Paddle side plate right	1
K	Paddle bar	2
L	Profile 4040 250mm	2
M	Wheel base bracket	2
N	Wheel base	1
O	Profile 4080 150mm	2
P1	TV horn left	1
P2	TV horn right	1
Q	TV mounting plate	1
R	Profile 4040 280mm	1
S	Profile 4040 170mm	1
T	Gear shifter base	1

## Fasteners

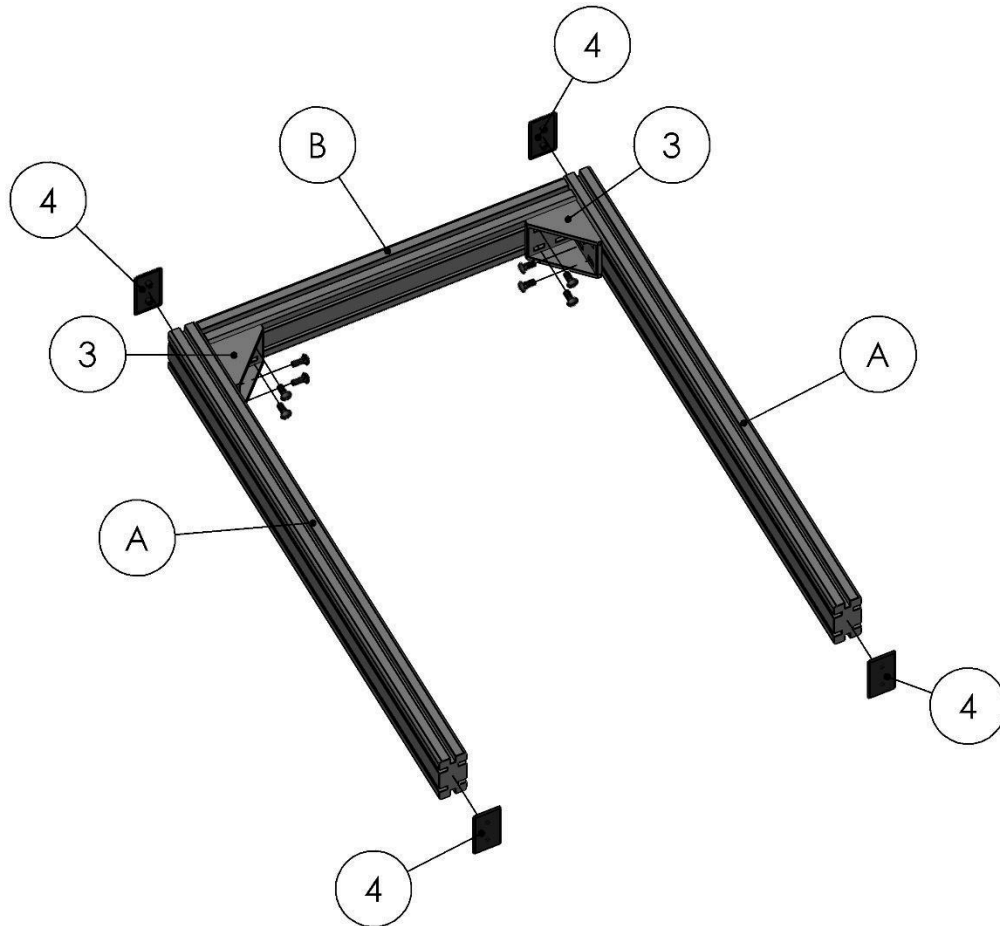
Item nr.	Description	Qty
1	M8 bolt	108
2	M8 t-slot nut	104
3	Corner bracket 8080	4
4	End cap 4080	12
5	End cap 4040	10
6	Corner bracket 4040	6

## Tools required



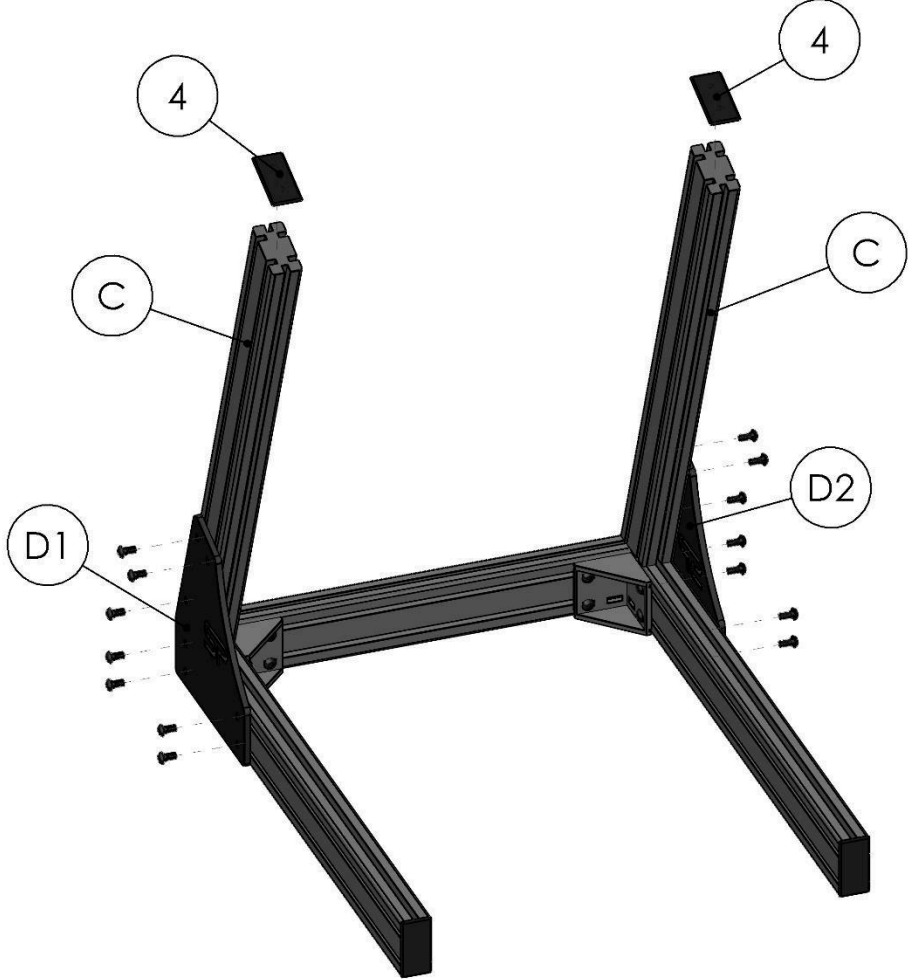
6mm

# Step 1



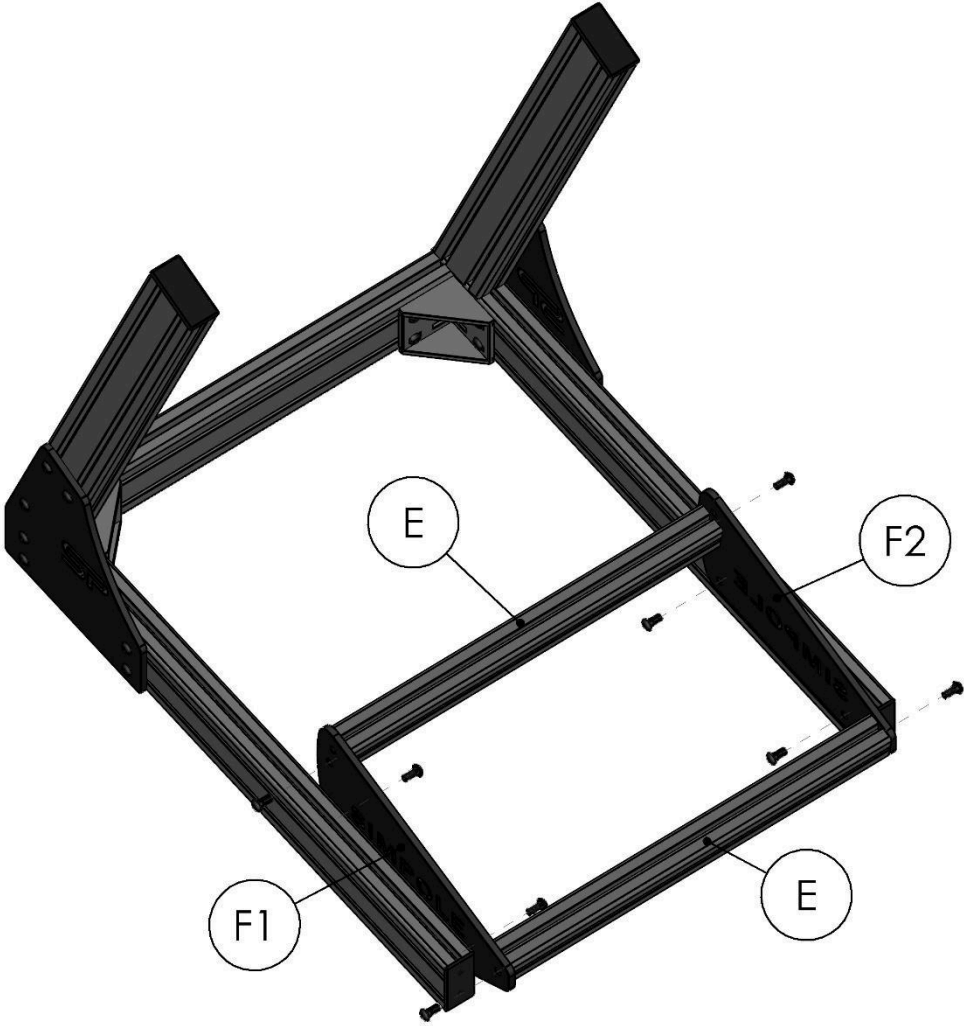
Item nr.	Description	Qty
A	Profile 4080 800mm	2
B	Profile 4080 540mm	1
1	M8 bolt	8
2	M8 t-slot nut	8
3	Corner bracket 8080	2
4	End cap 4080	4

# Step 2



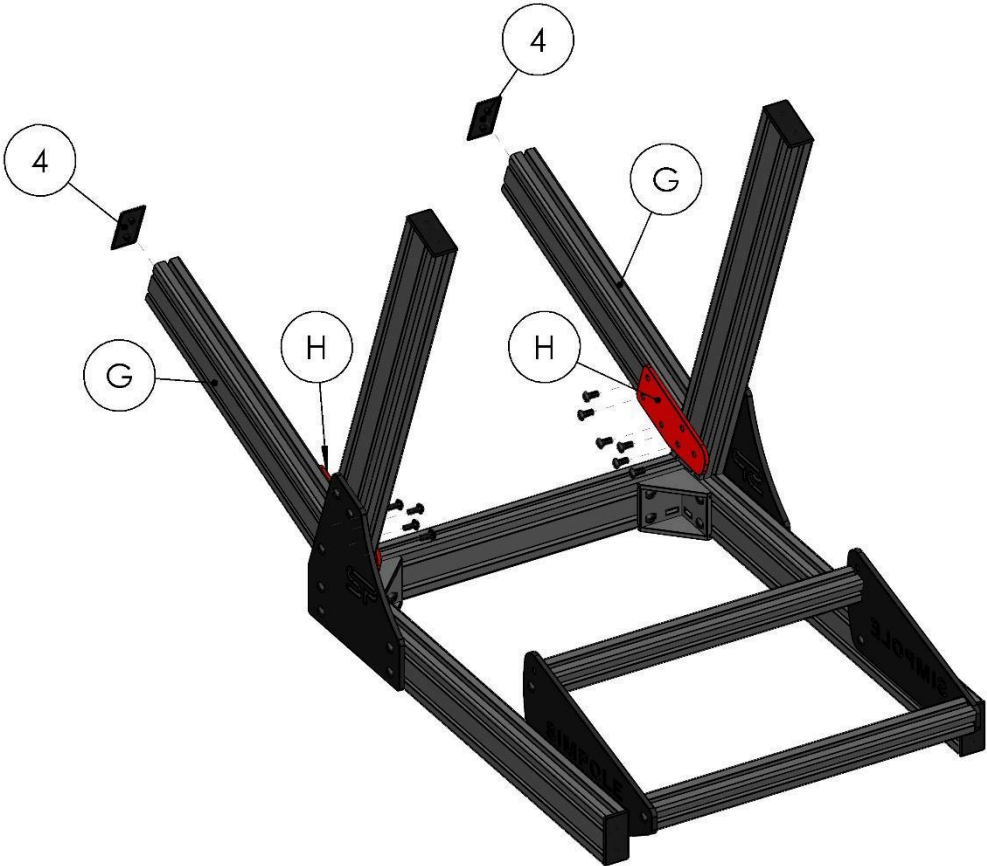
Item nr.	Description	Qty
C	Profile 4080 750mm angle	2
D1	Side plate left	1
D2	Side plate right	1
1	M8 bolt	14
2	M8 t-slot nut	14
4	End cap 4080	2

# Step 3



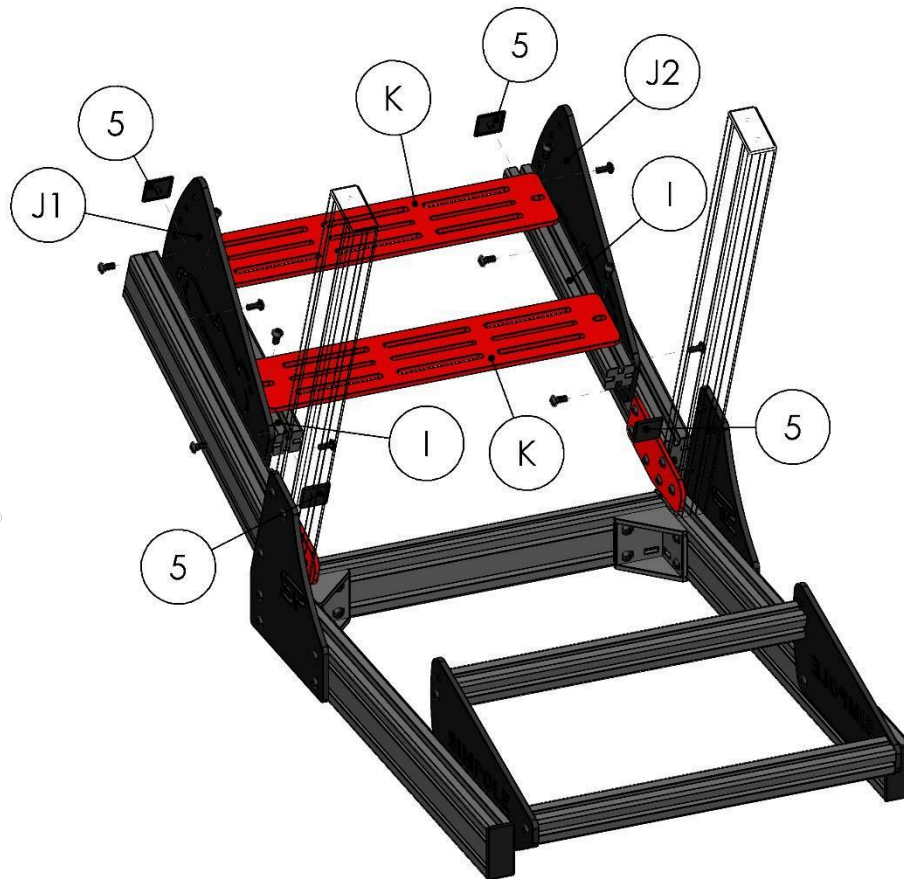
Item nr.	Description	Qty
E	Profile 4040 524mm	2
F1	Seat side plate left	1
F2	Seat side plate right	1
1	M8 bolt	8
2	M8 t-slot nut	4

# Step 4



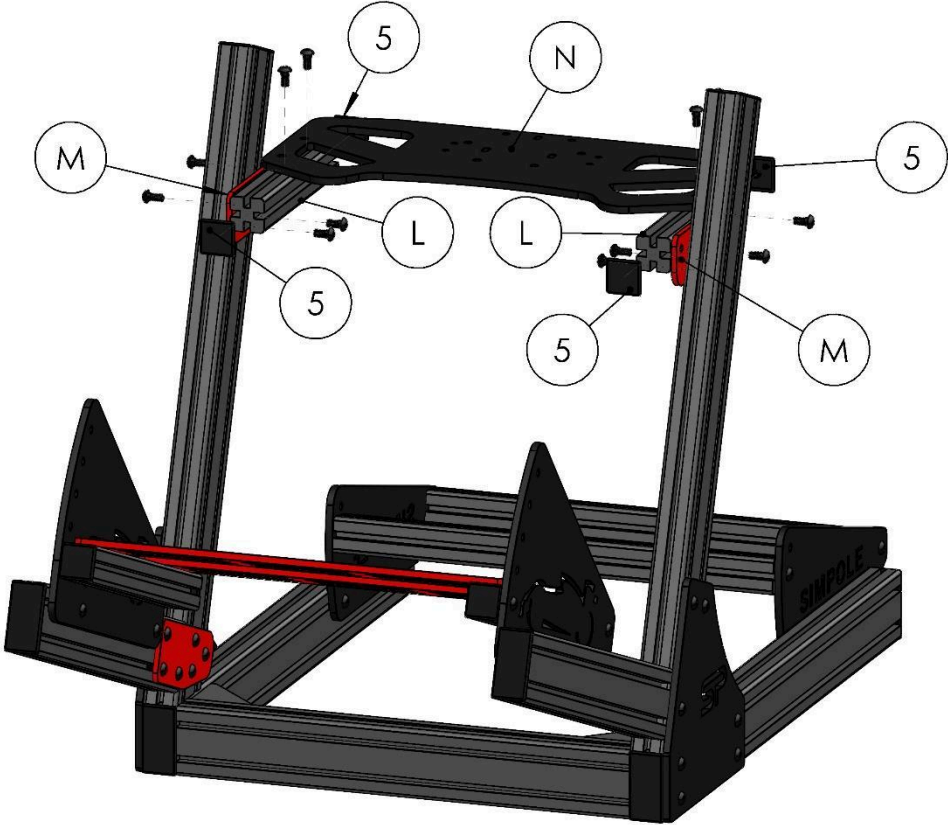
Item nr.	Description	Qty
G	Profile 4080 500mm	2
H	Paddle bracket	2
1	M8 bolt	12
2	M8 t-slot nut	12
4	End cap 4080	2

## Step 5



Item nr.	Description	Qty
I	Profile 4040 380mm	2
J1	Paddle side plate left	1
J2	Paddle side plate right	1
K	Paddle bar	2
1	M8 bolt	12
2	M8 t-slot nut	12
5	End cap 4040	4

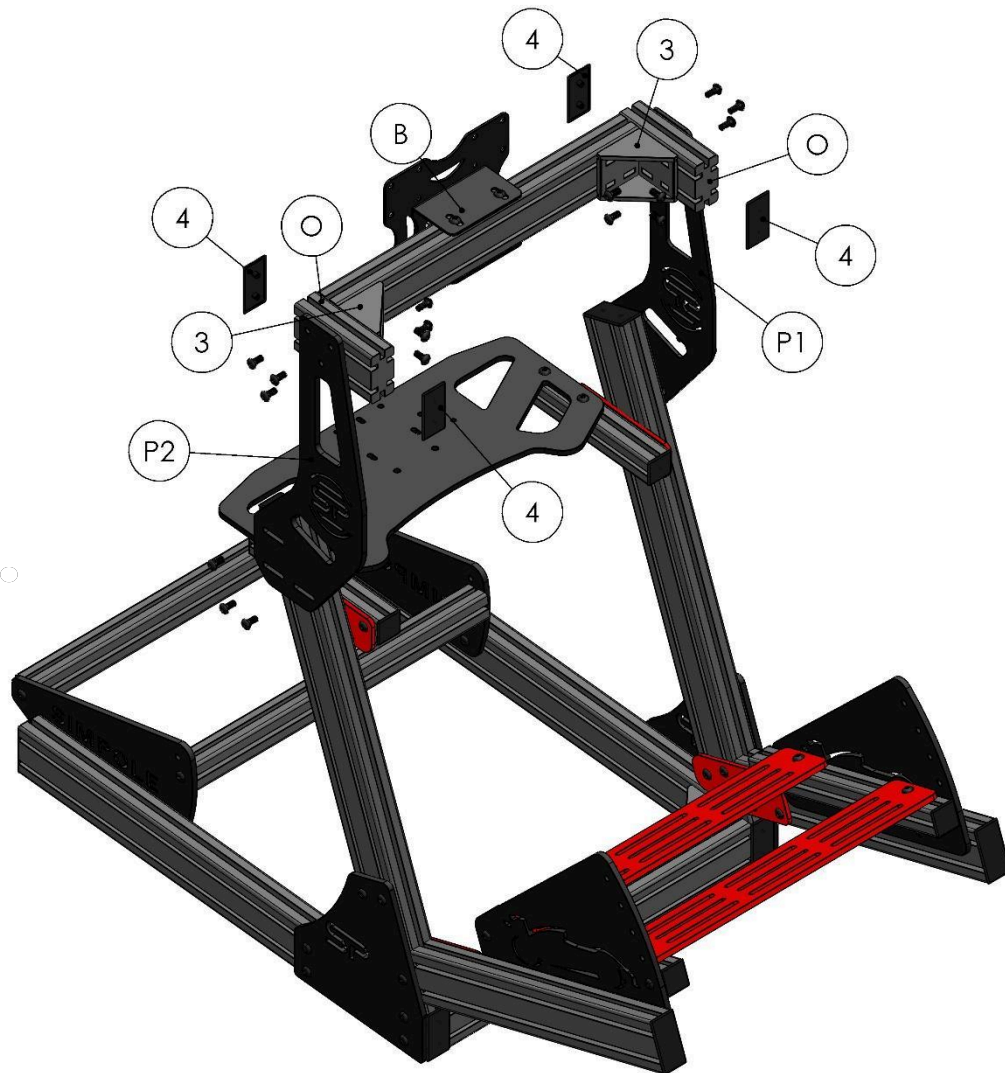
# Step 6



Item nr.	Description	Qty
L	Profile 4040 250mm	2
M	Wheel base bracket	2
N	Wheel base	1
1	M8 bolt	12
2	M8 t-slot nut	12
5	End cap 4040	4



## Step 7



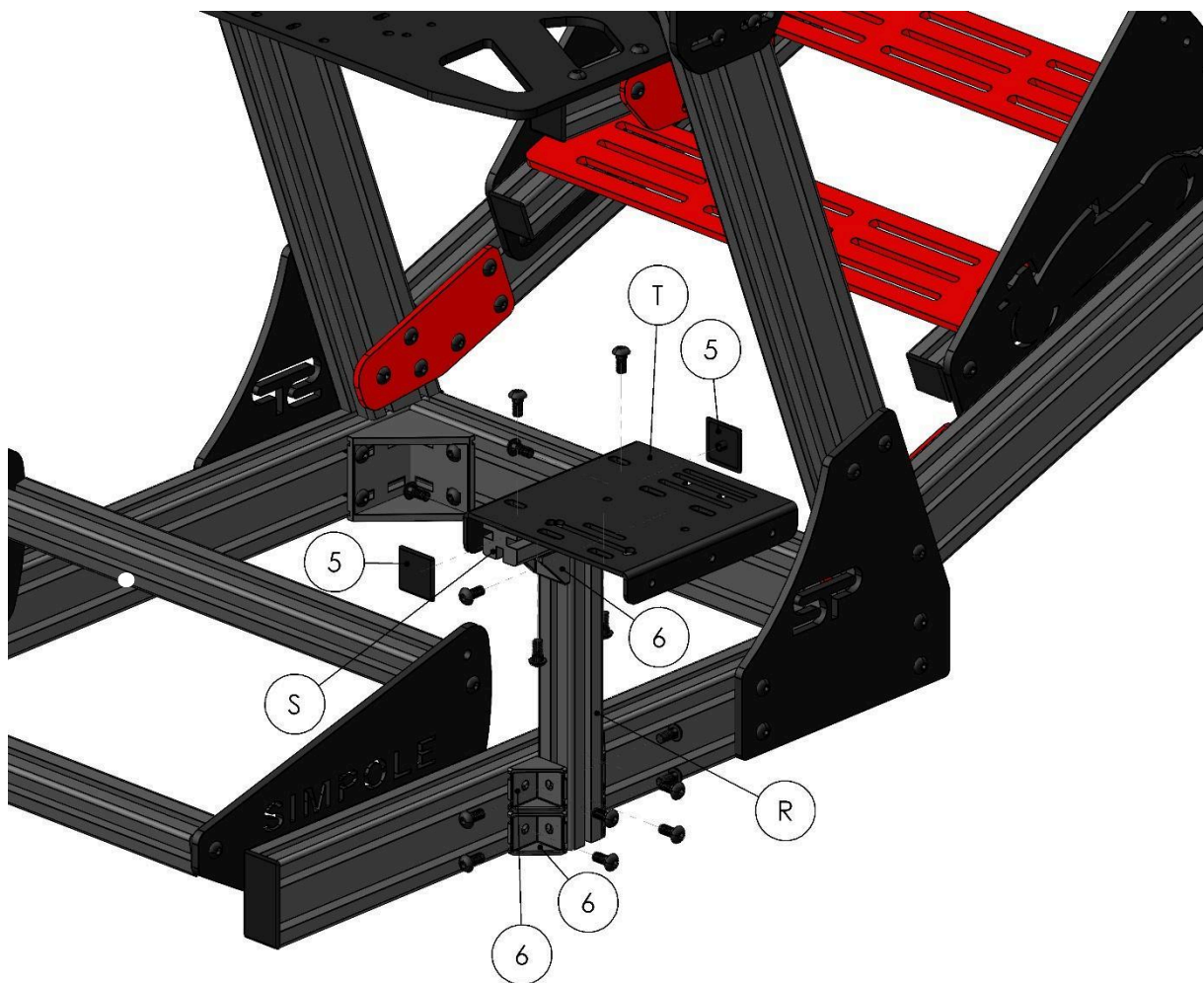
Item nr.	Description	Qty
<b>B</b>	Profile 4080 540mm	1
<b>O</b>	Profile 4080 150mm	2
<b>P1</b>	TV horn left	1
<b>P2</b>	TV horn right	1
<b>1</b>	M8 bolt	20
<b>2</b>	M8 t-slot nut	20
<b>3</b>	Corner bracket 8080	2
<b>4</b>	End cap 4080	4

# Step 8



Item nr.	Description	Qty
Q	TV mounting plate	1
1	M8 bolt	6
2	M8 t-slot nut	6

## Step 9



Item nr.	Description	Qty
R	Profile 4040 280mm	1
S	Profile 4040 170mm	1
T	Gear shifter base	1
1	M8 bolt	16
2	M8 t-slot nut	16
5	End cap 4040	2
6	Corner bracket 4040	6