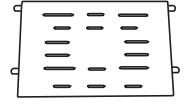
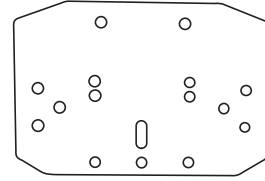
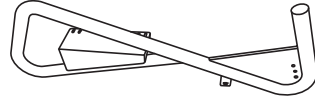
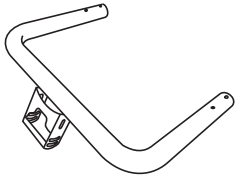




SIMPOLE APEX INSTRUCTION MANUAL

- 1** X1 **2** X2 **3** X1 **4** X1

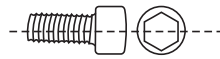
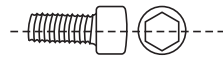
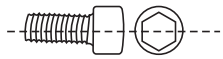


- 5** X1 **6** X4



simulator bracket

- A** X12 **B** X2 **C** X8 **D** X6 **E** X8



M6X16

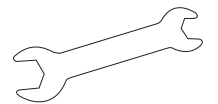
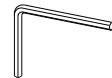
M6X30

M8X20

M6

M8

- F** X2 **G** X4 **H** X1 **I** X1 **J** X1



M6

M8

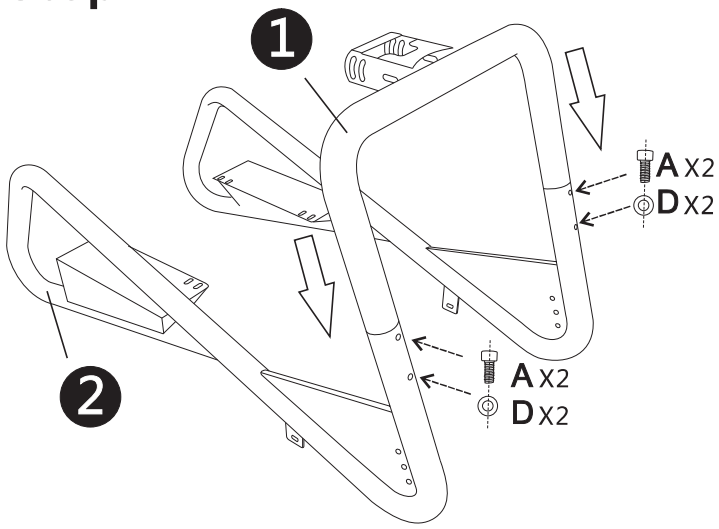
M8

M6

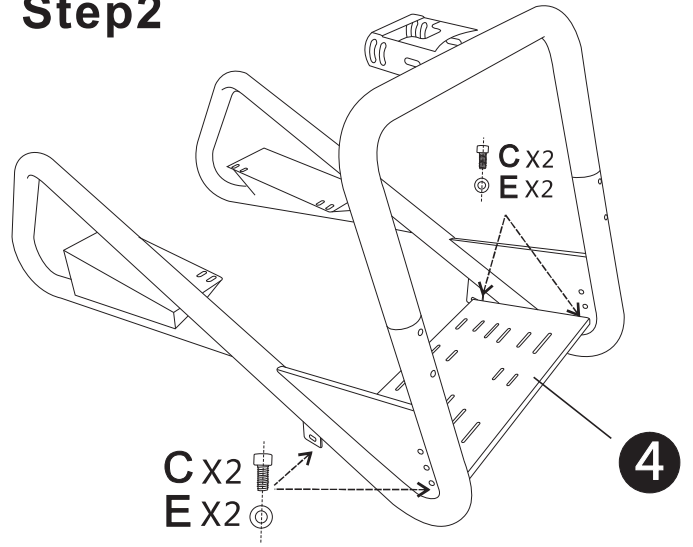
M6*16 , 8pcs,used on steering wheel and pedal

simulator bracket screws

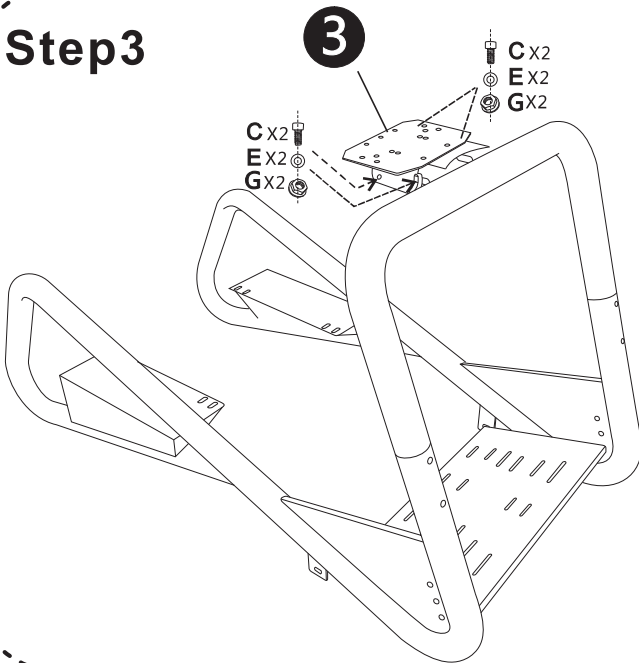
Step 1



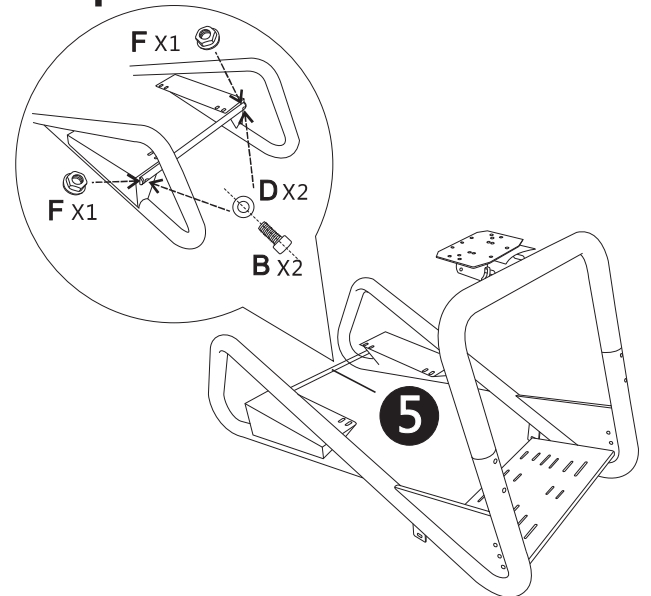
Step 2



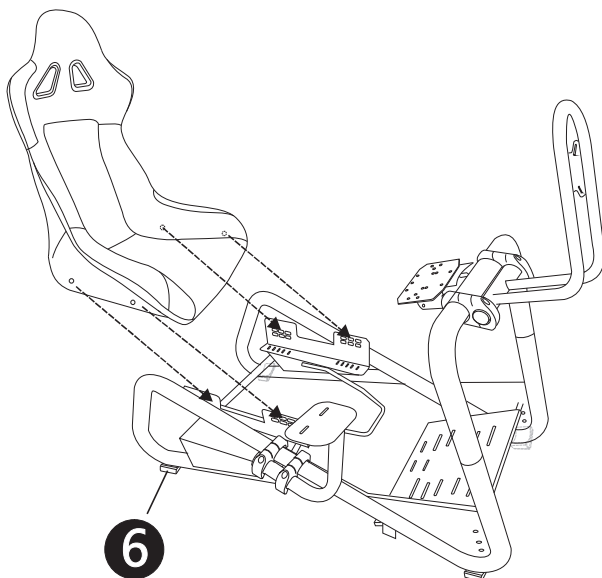
Step 3

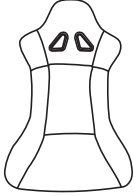
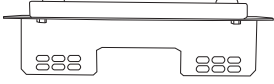
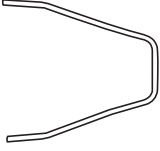
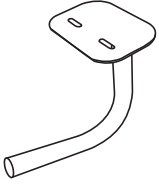
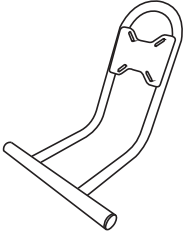
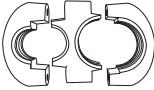
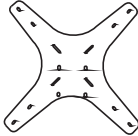



Step 4



Step 5



- 1 X1 
- 2 X2 
- 3 X1 
- 4 X1 
- 5 X1 
- 6 X4 
- 7 X1 
- 8 X4 

seat ,gear lever and display screen holder

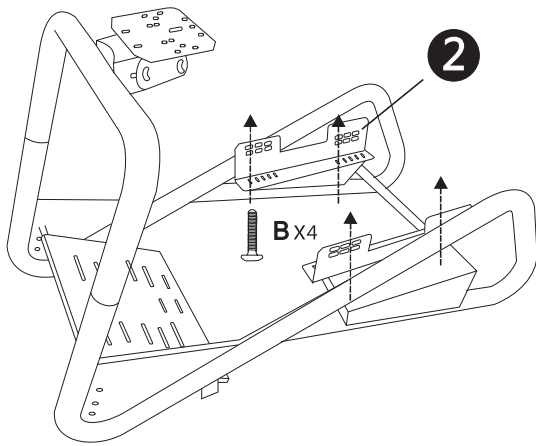
- A X4 
 - B X4 
 - C X4 
 - D X1 
 - E X1 
- M8X25 M8X18 M8 M8

seat screws

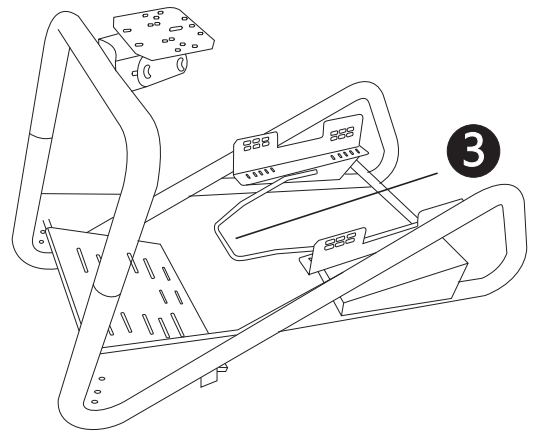
- F X8 
 - G X12 
 - H X4 
 - I X1 
- M6X75 M6 M6X25 M6

gear lever and display screen holder screws

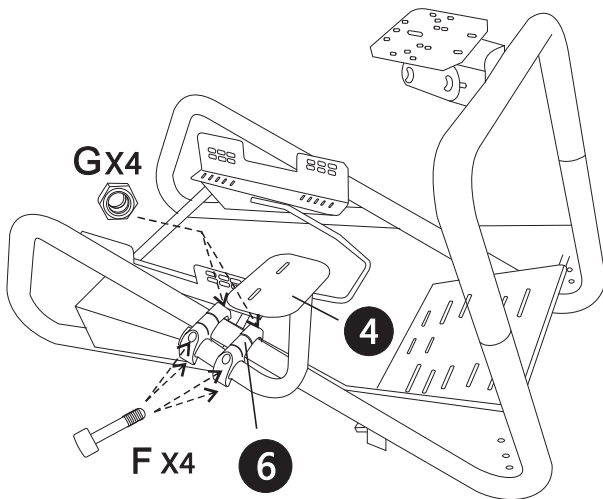
Step1



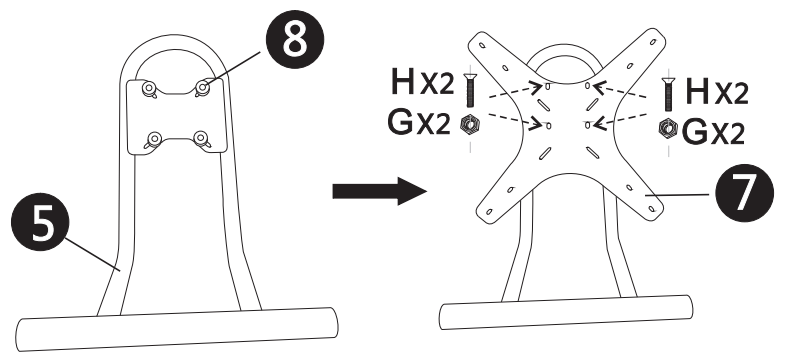
Step2



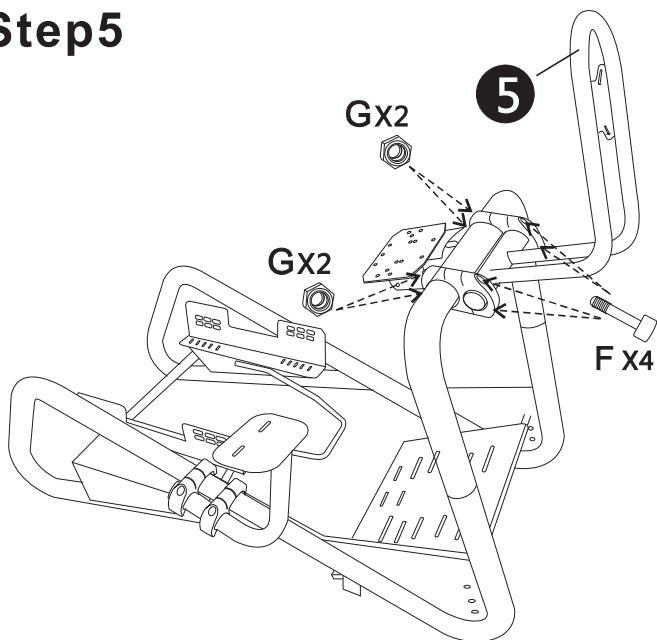
Step3



Step4



Step5



Step6

