

SIMPOLE KEYBOARD STAND INSTRUCTION MANUAL



Sim-pole.com

Copyright © 2022 – Sim-pole Products | revision 1.0

Part list

Parts

Item nr.	Description	Qty
A	Profile 4040 350mm	4
B	Profile 4040 700mm	1
C	Profile 4040 500mm	1
D	Keyboard tray	1
E	Mouse tray	1

Fasteners

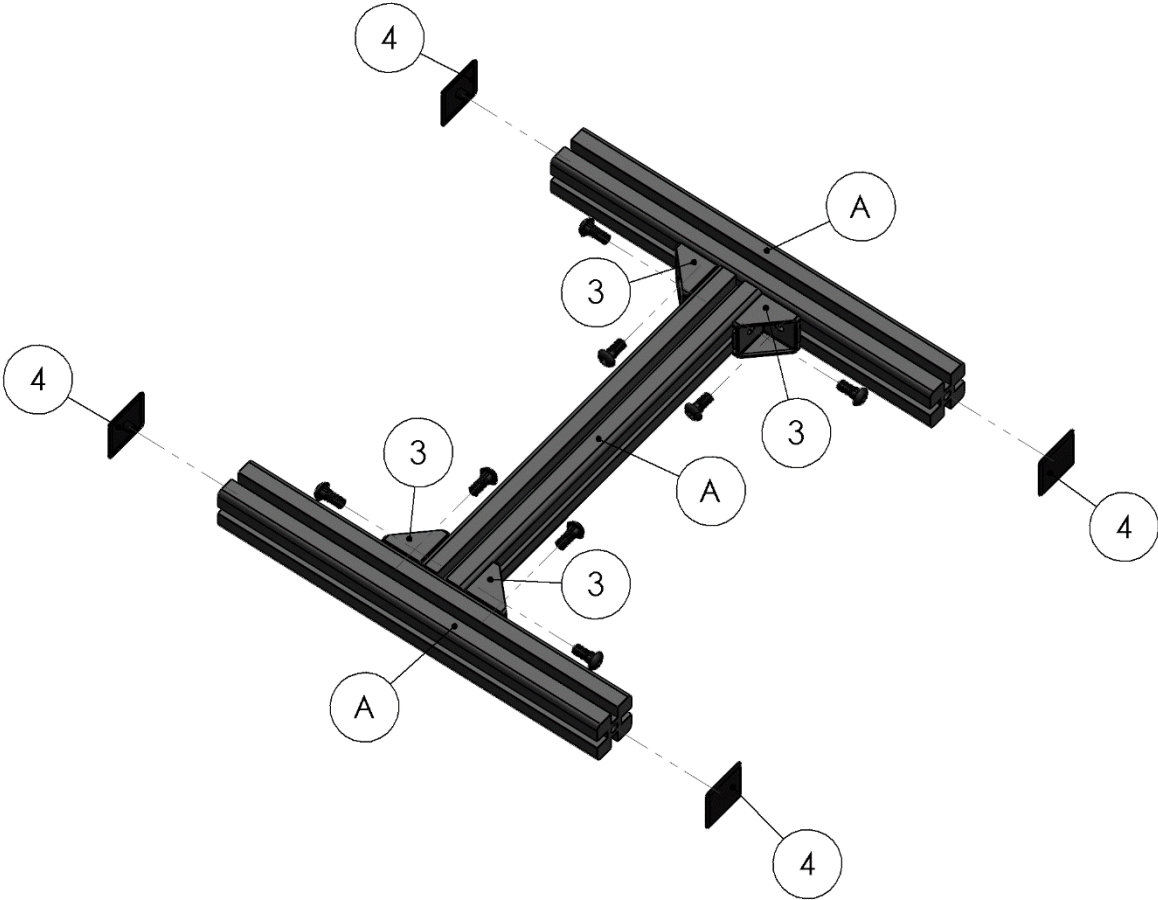
Item nr.	Description	Qty
1	M8 bolt	30
2	M8 t-slot nut	30
3	Corner bracket 4040	10
4	End cap 4040	7

Tools required



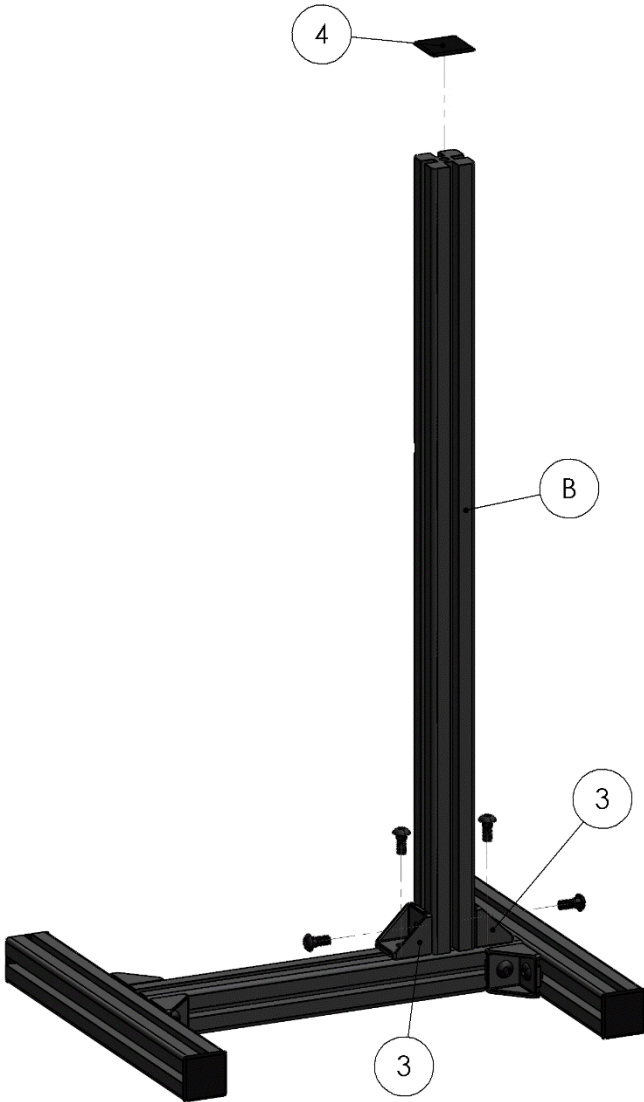
6mm

Step 1



Item nr.	Description	Qty
A	Profile 4040 350mm	3
1	M8 bolt	8
2	M8 t-slot nut	8
3	Corner bracket 4040	4
4	End cap 4040	4

Step 2



Item nr.	Description	Qty
B	Profile 4040 700mm	1
1	M8 bolt	4
2	M8 t-slot nut	4
3	Corner bracket 4040	2
4	End cap 4040	1

Step 3



Item nr.	Description	Qty
A	Profile 4040 350mm	1
C	Profile 4040 500mm	1
1	M8 bolt	8
2	M8 t-slot nut	8
3	Corner bracket 4040	4
4	End cap 4040	2

Step 4



Item nr.	Description	Qty
D	Keyboard tray	1
E	Mouse tray	1
1	M8 bolt	10
2	M8 t-slot nut	10