



# INSTRUCTION MANUAL



[sim-pole.com](https://sim-pole.com)

# Part list

## Parts

Item nr.	Description	Qty
A	Profile 4080 1300mm	2
B	Profile 4080 540mm	2
C	Profile 4080 750mm angle	2
D1	Side plate left	1
D2	Side plate right	1
E	Profile 4040 524mm	2
F1	Seat side plate left	1
F2	Seat side plate right	1
G	Profile 4040 380mm	2
H	Paddle bar	2
I	Paddle bracket	4
J	Profile 4040 250mm	2
K	Wheel base	1
L	Wheel base bracket	2
M	Simpole bar	1
N1	TV horn left	1
N2	TV horn right	1
O	Profile 4080 150mm	2
P	TV mounting plate	1
Q	TV mounting plate bracket	1
R	Profile 4080 600mm	1
S	Profile 4080 170mm	1
T1	Gear shifter base plate left	1
T2	Gear shifter base plate right	1
U	Gear shifter bracket	2

## Fasteners

Item nr.	Description	Qty
1	M8 bolt	108
2	M8 t-slot nut	108
3	Corner bracket 8080	4
4	End cap 4080	11
5	End cap 4040	8
6	Corner bracket 4040	4

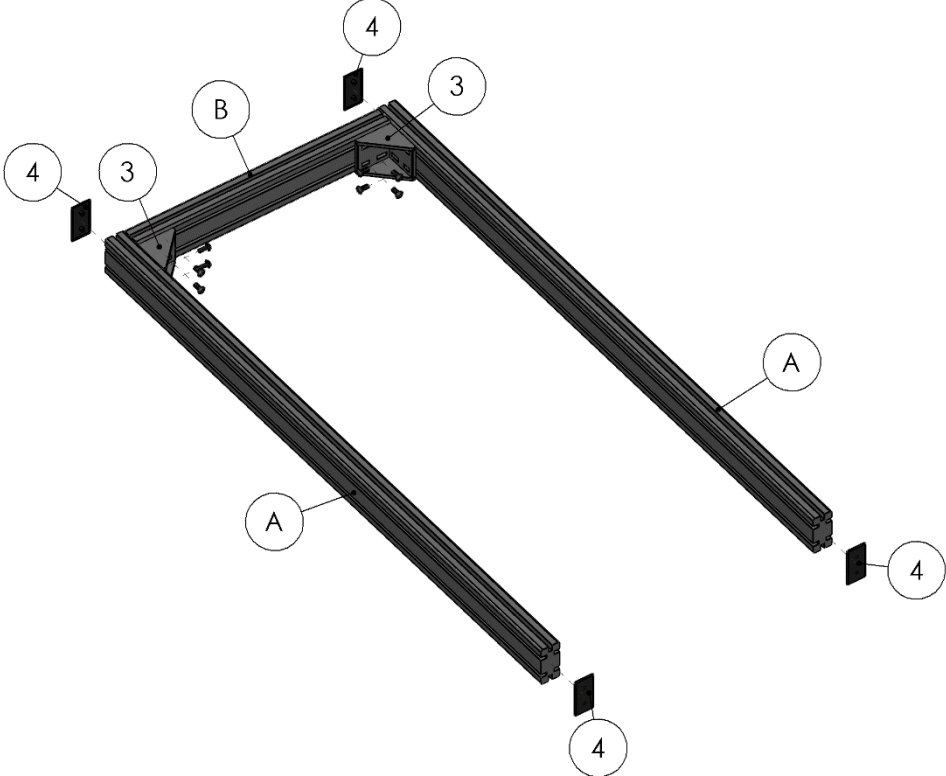
## Tools required



6mm

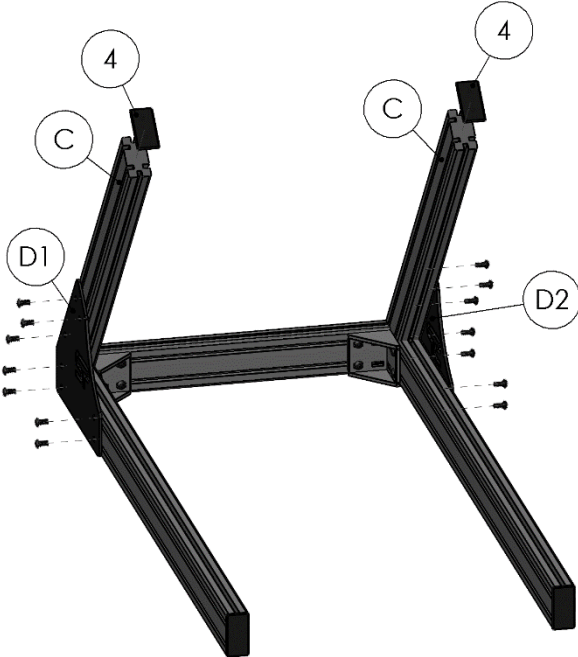
10mm

# Step 1



Item nr.	Description	Qty
A	Profile 4080 1300mm	2
B	Profile 4080 540mm	1
1	M8 bolt	8
2	M8 t-slot nut	8
3	Corner bracket 8080	2
4	End cap 4080	4

# Step 2



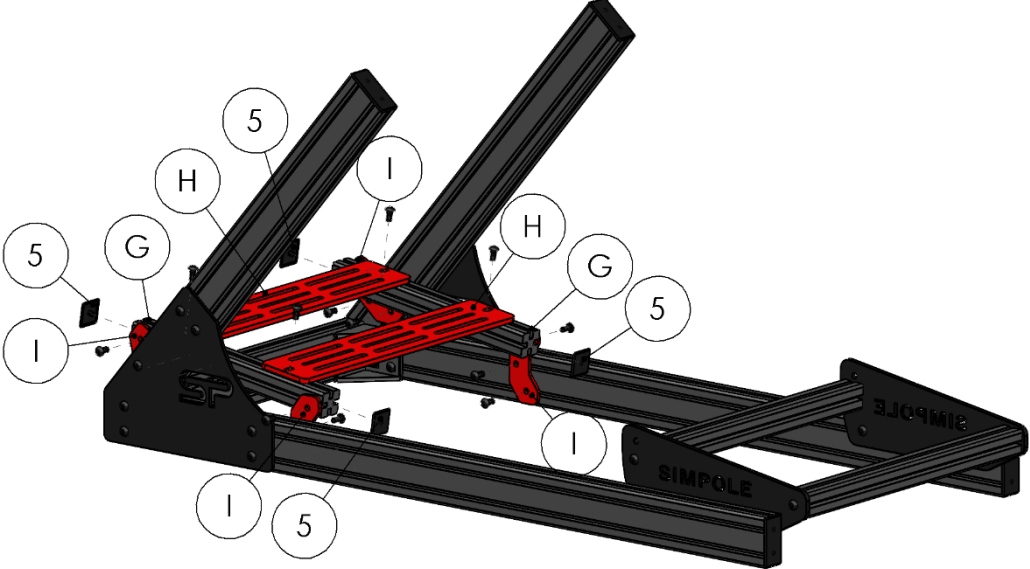
Item nr.	Description	Qty
C	Profile 4080 750mm angle	2
D1	Side plate left	1
D2	Side plate right	1
1	M8 bolt	14
2	M8 t-slot nut	14
4	End cap 4080	2

# Step 3



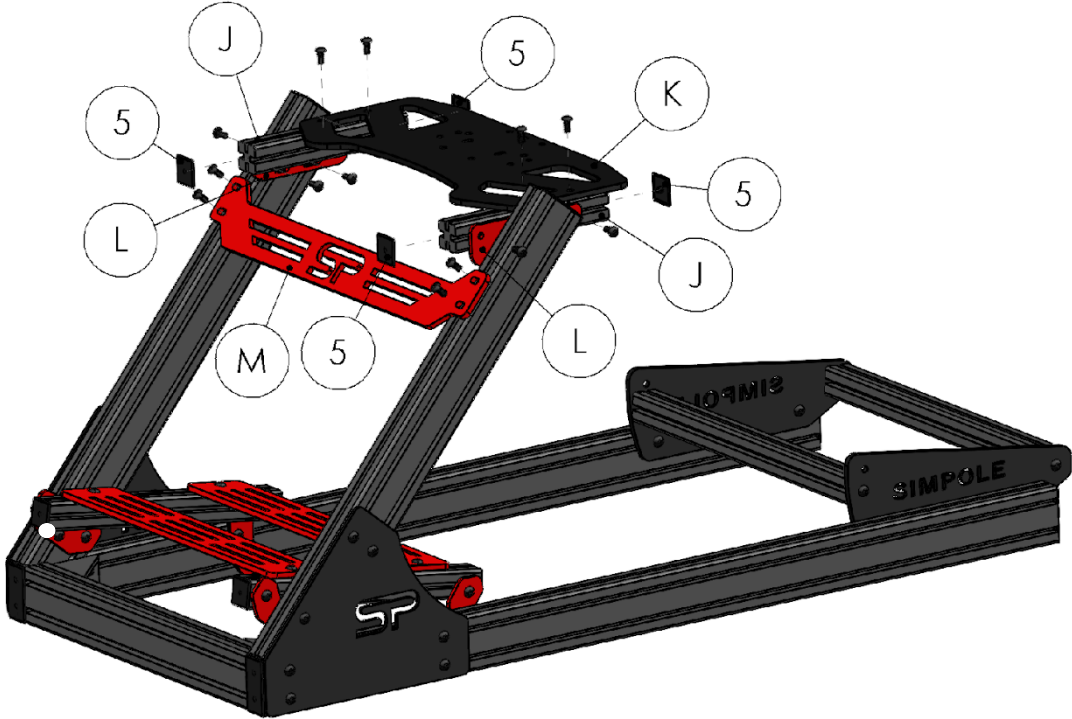
Item nr.	Description	Qty
E	Profile 4040 524mm	2
F1	Seat side plate left	1
F2	Seat side plate right	1
1	M8 bolt	8
2	M8 t-slot nut	8

# Step 4



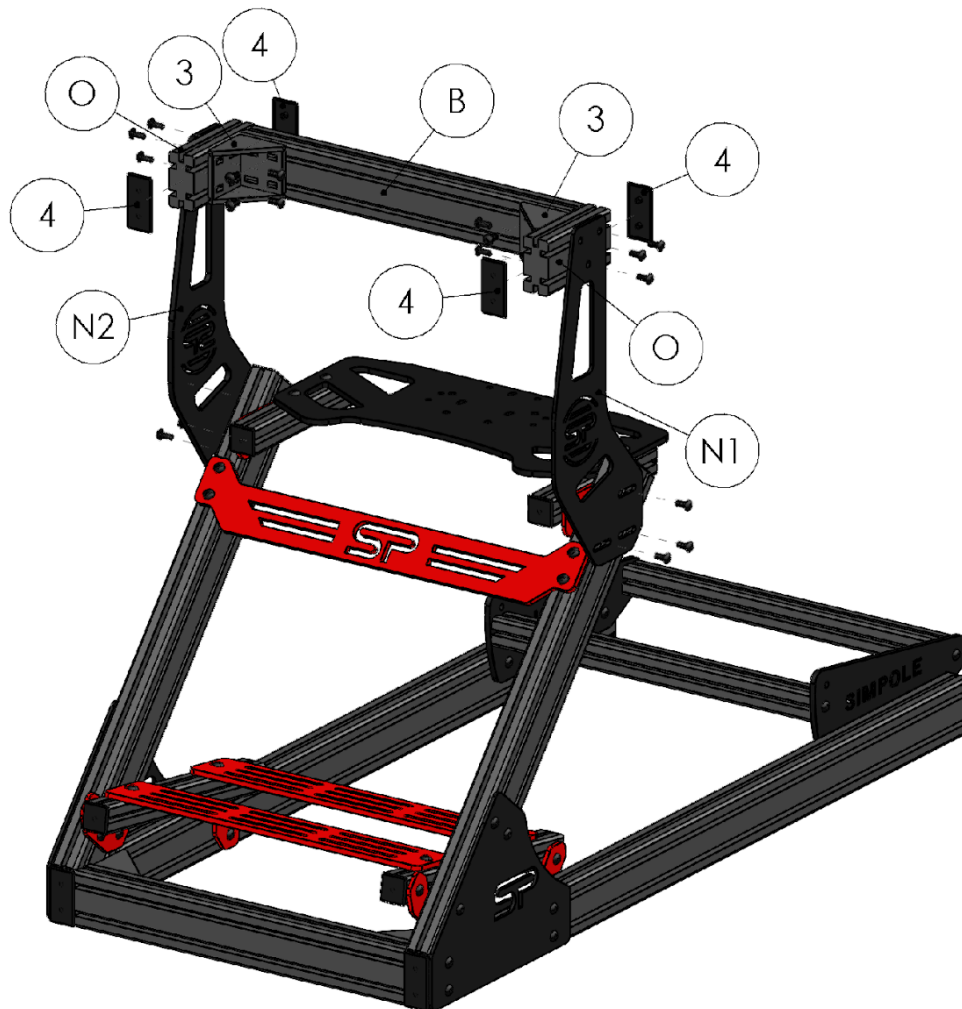
Item nr.	Description	Qty
G	Profile 4040 380mm	2
H	Paddle bar	2
I	Paddle bracket	4
1	M8 bolt	16
2	M8 t-slot nut	16
5	End cap 4040	4

# Step 5



Item nr.	Description	Qty
J	Profile 4040 250mm	2
K	Wheel base	1
L	Wheel base bracket	2
M	Simpole bar	1
1	M8 bolt	16
2	M8 t-slot nut	16
5	End cap 4040	4

## Step 6



Item nr.	Description	Qty
<b>B</b>	Profile 4080 540mm	1
<b>N1</b>	TV horn left	1
<b>N2</b>	TV horn right	1
<b>O</b>	Profile 4080 150mm	2
<b>1</b>	M8 bolt	20
<b>2</b>	M8 t-slot nut	20
<b>3</b>	Corner bracket 8080	2
<b>4</b>	End cap 4080	4

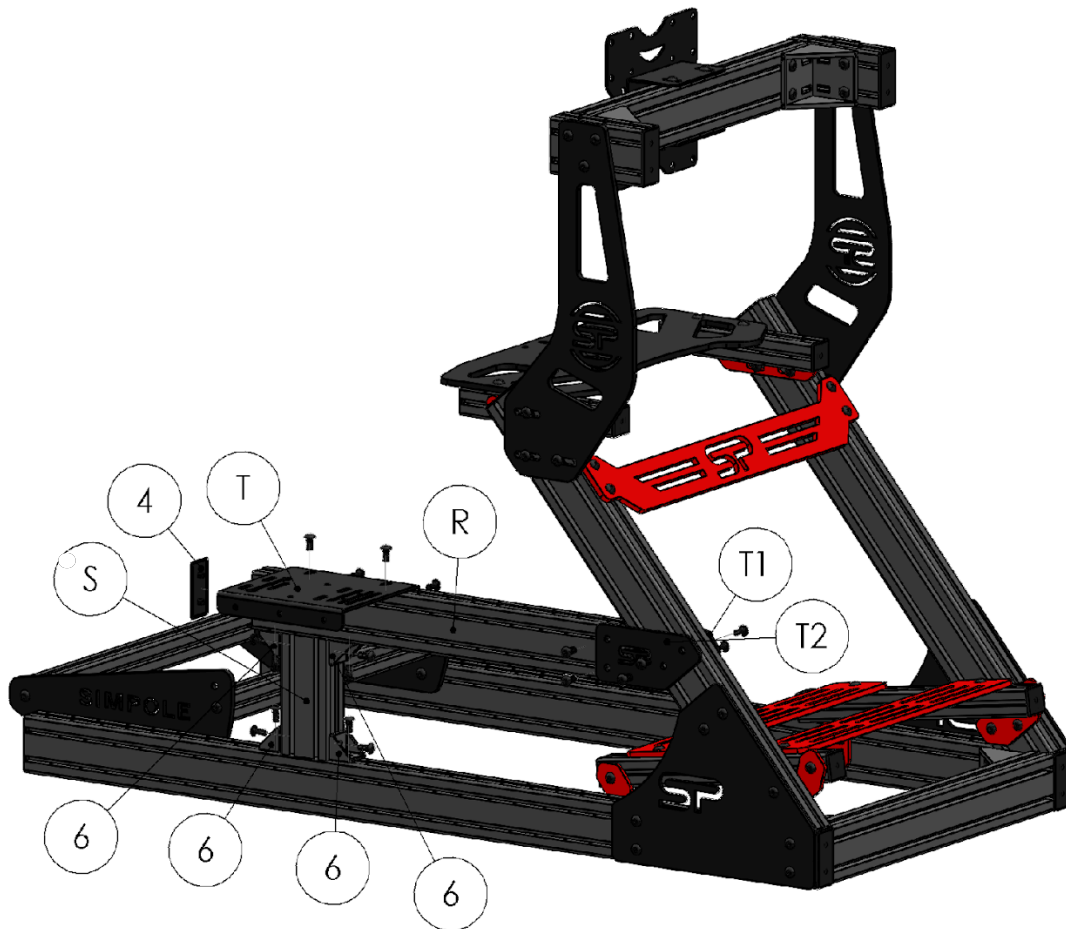


# Step 7



Item nr.	Description	Qty
P	TV mounting plate	1
Q	Tv mounting plate bracket	1
1	M8 bolt	6
2	M8 t-slot nut	6

## Step 8



Item nr.	Description	Qty
<b>R</b>	Profile 4080 600mm	1
<b>S</b>	Profile 4080 170mm	1
<b>T1</b>	Gear shifter base plate left	1
<b>T2</b>	Gear shifter base plate right	1
<b>1</b>	M8 bolt	20
<b>2</b>	M8 t-slot nut	20
<b>4</b>	End cap 4080	1
<b>6</b>	Corner bracket 4040	4