

INSTRUCTION MANUAL



sim-pole.com

Part list

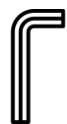
Parts

Item nr.	Description	Qty
A	Profile 4080 800mm	2
B	Profile 4080 540mm	1
C	Profile 4040 524mm	2
D1	Seat side plate left	1
D2	Seat side plate right	1
E	Profile 4080 750mm	2
F1	Side plate left	1
F2	Side plate right	1
G	Profile 4080 500mm	2
H	Paddle holder bracket	2
I	Profile 4040 382mm	2
J	Paddle bar	2
K	Paddle side plate	2
L	Profile 4040 250mm	2
M	Wheel plate	1
N	Wheel base bracket	2
O	Profile 4080 540mm	1
P	Profile 4080 150mm	2
Q1	TV horn left	1
Q2	TV horn right	1

Fasteners

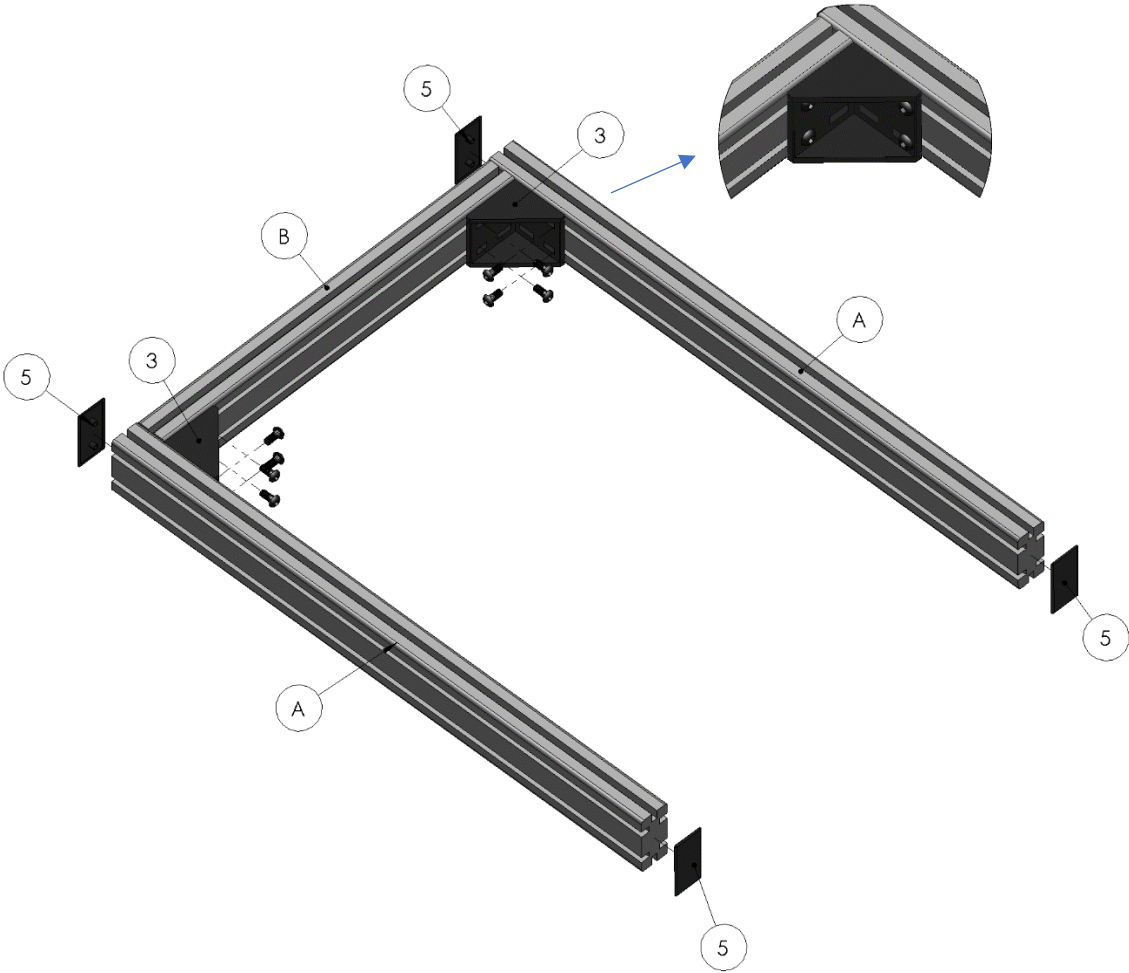
Item nr.	Description	Qty
1	M8x20 bolt	86
2	M8 t-slot nut	86
3	Corner bracket 8080	4
4	End cap 4040	8
5	End cap 4080	12

Tools required



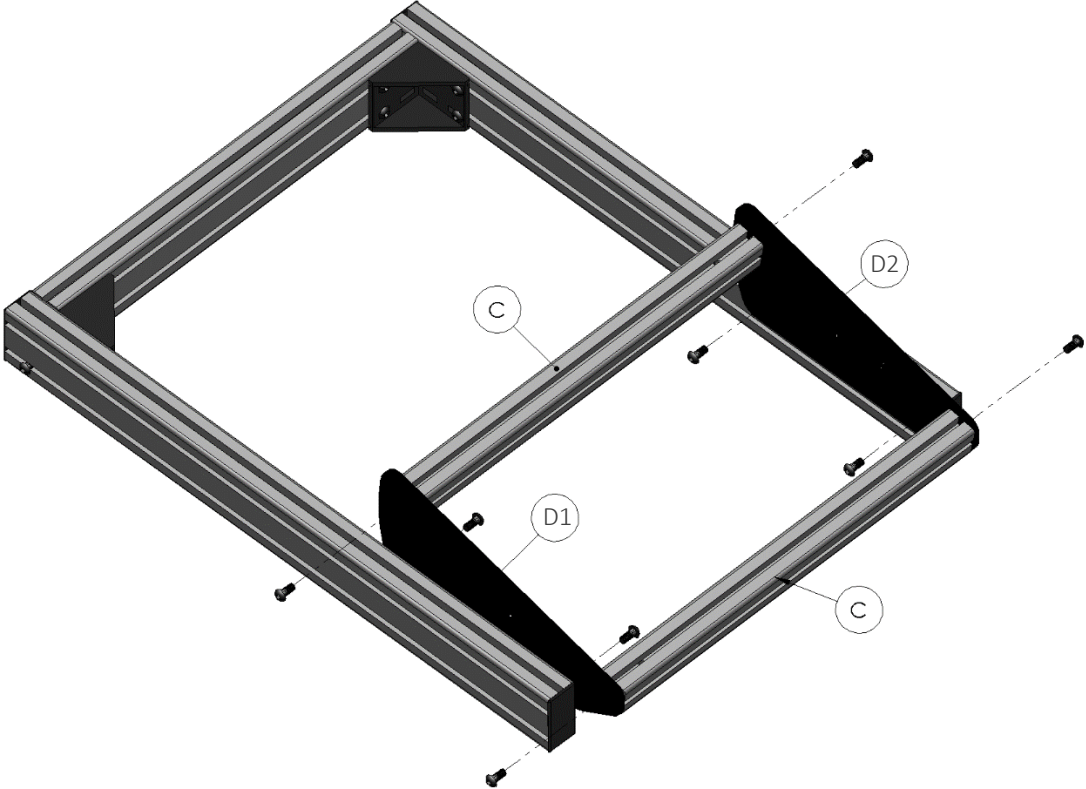
6mm

Step 1



Item nr.	Description	Qty
A	Profile 4080 800mm	2
B	Profile 4080 540mm	1
1	M8x20 bolt	8
2	M8 t-slot nut	8
3	Corner bracket 8080	2
5	End cap 4080	4

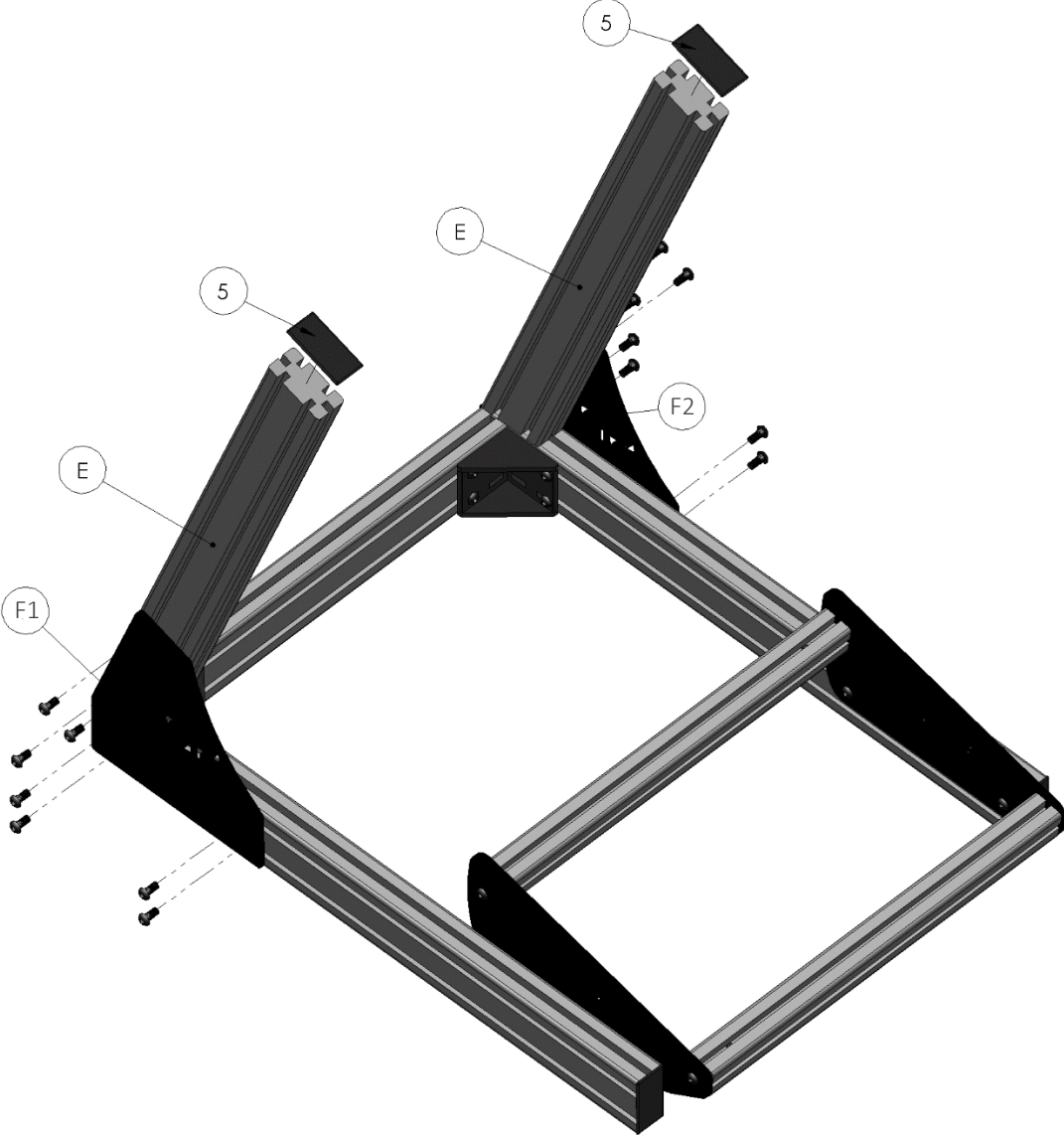
Step 2



D2

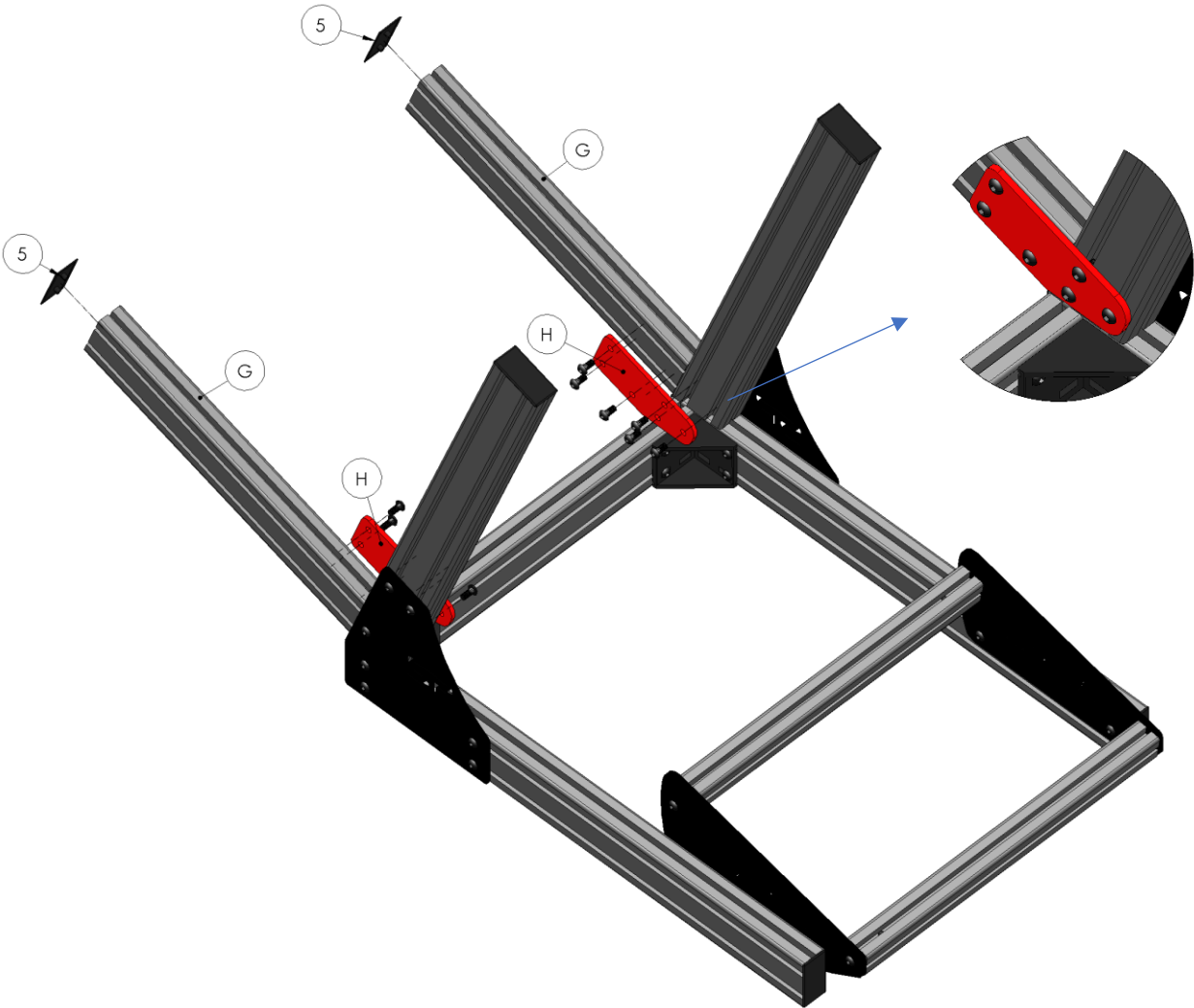
Item nr.	Description	Qty
C	Profile 4040 524mm	2
D1	Seat side plate left	1
D2	Seat side plate right	1
1	M8x20 bolt	8
2	M8 t-slot nut	8

Step 3



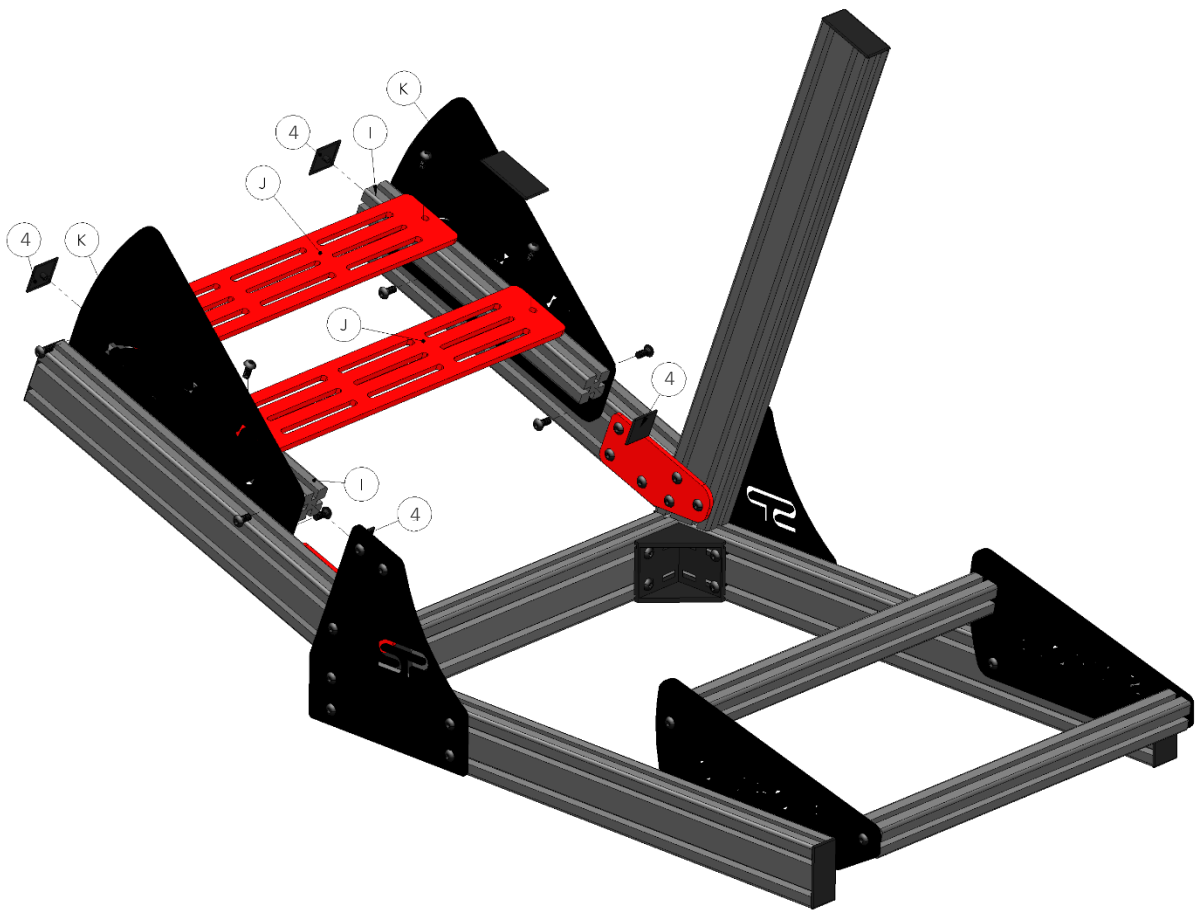
Item nr.	Description	Qty
E	Profile 4080 750mm	2
F1	Side plate left	1
F2	Side plate right	1
1	M8x20 bolt	14
2	M8 t-slot nut	14
5	End cap 4080	2

Step 4



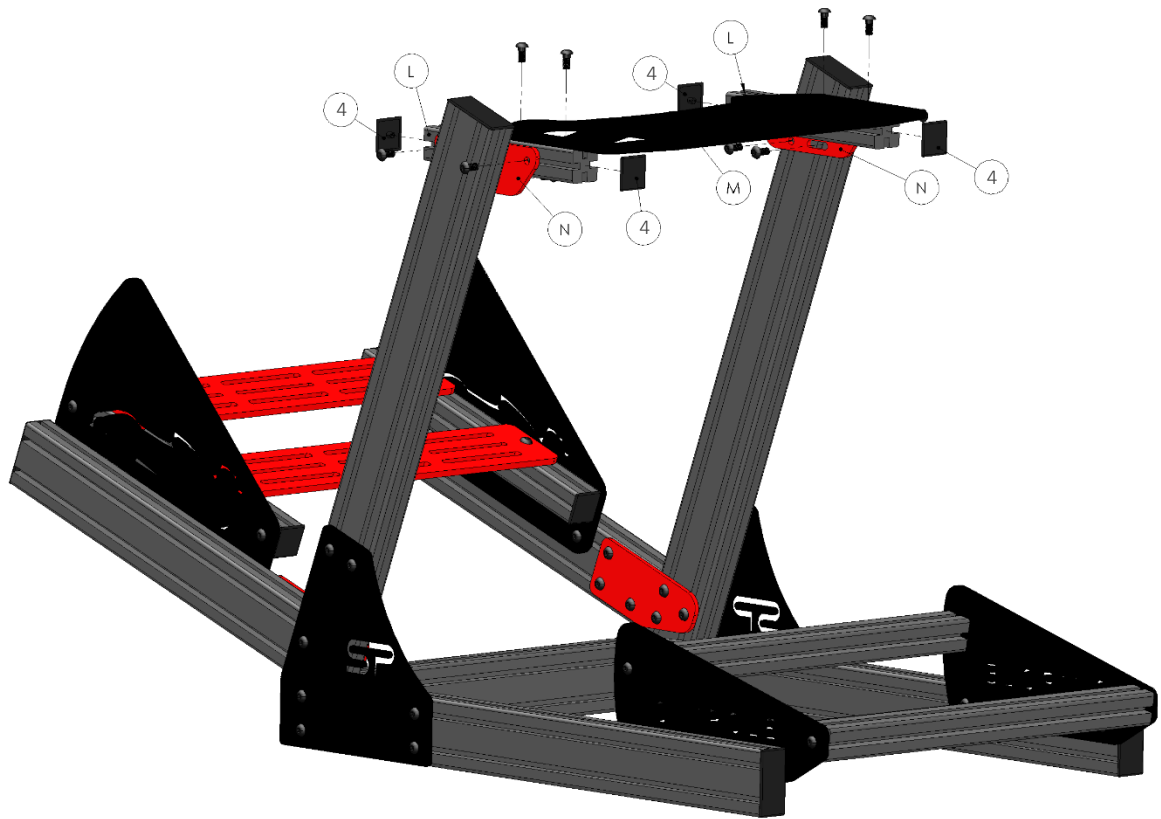
Item nr.	Description	Qty
G	Profile 4080 500mm	2
H	Paddle holder bracket	2
1	M8x20 bolt	12
2	M8 t-slot nut	12
5	End cap 4080	2

Step 5



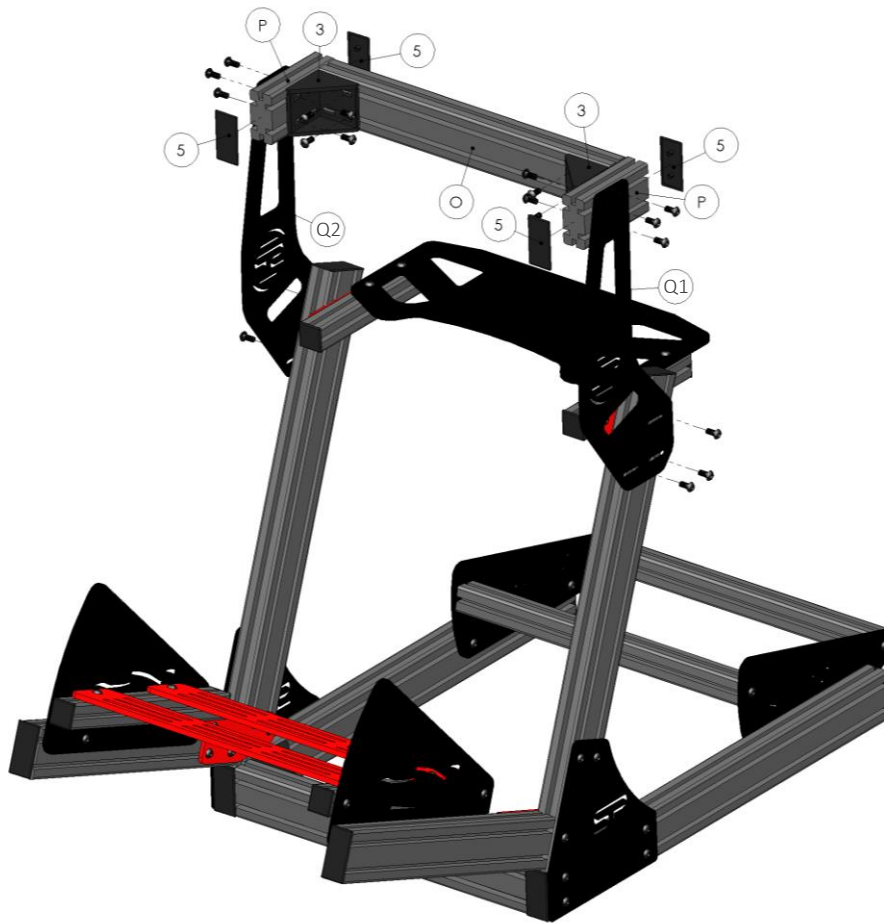
Item nr.	Description	Qty
I	Profile 4040 382mm	2
J	Paddle bar	2
K	Paddle side plate	2
1	M8x20 bolt	12
2	M8 t-slot nut	12
4	End cap 4040	4

Step 6



Item nr.	Description	Qty
L	Profile 4040 250mm	2
M	Wheel plate	1
N	Wheel base bracket	2
1	M8x20 bolt	12
2	M8 t-slot nut	12
6	End cap 4040	4

Step 7



Item nr.	Description	Qty
O	Profile 4080 540mm	1
P	Profile 4080 150mm	2
Q1	TV horn left	1
Q2	TV horn right	1
1	M8x20 bolt	20
2	M8 t-slot nut	20
3	Corner bracket 8080	2
5	End cap 4080	4